



**BRADFORD WHITE**<sup>®</sup>  
W A T E R   H E A T E R S

**ECO-DEFENDER  
GAS REPLACEMENT PARTS LIST  
Ultra Low NO<sub>x</sub> Models  
“URG” & “ULG”**

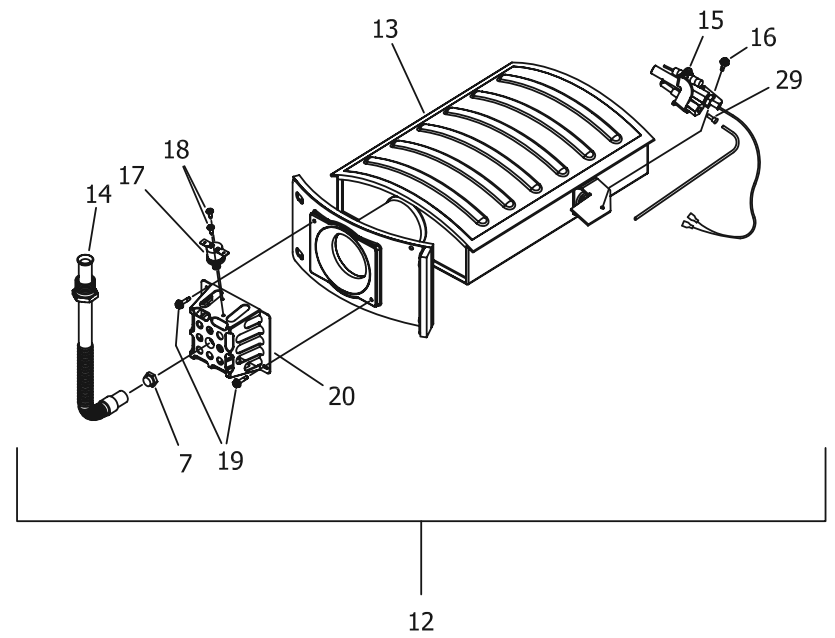
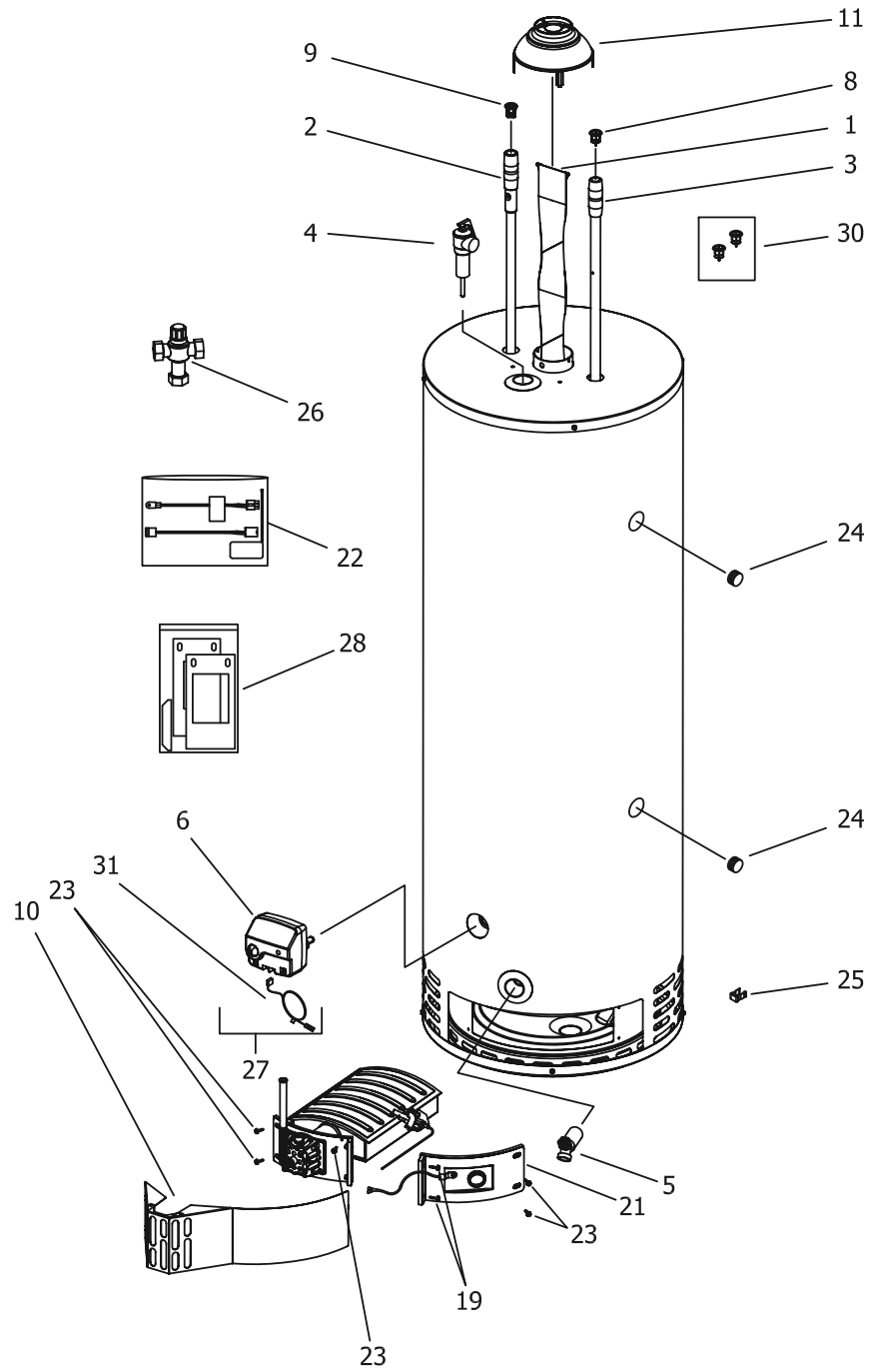


Includes Hydrojet<sup>®</sup>  
Total Performance System

***Effective: April, 2015  
ECO 7950***

**NOTE: BOTH MODEL AND SERIAL  
NUMBERS ARE REQUIRED FOR  
ORDERING REPLACEMENT PARTS**

Dimensions and specifications  
subject to change without notice.



Item	Description	Model	Model	Model	Model
		URG230T*N	URG240S*N	URG240T*N	ULG250H55*N
1	Flue Baffle	243-44639-00	243-50993-00	243-50065-03	---
	Flue Core	---	---	---	239-50666-00
2	Hot Water Outlet Anode (Magnesium) ▲▲	224-47776-19	224-47776-19	224-47776-19	224-47776-19
	Hot Water Outlet Anode (Aluminum) ▲▲	224-32999-42	224-32999-42	224-32999-42	224-32999-42
	Hot Water Outlet Anode (A420 Aluminum) ▲▲ #	224-49560-08	224-49560-08	224-49560-08	224-49560-08
3	Cold Water Inlet Dip Tube (PEX) ▲	229-51230-19	229-51230-24	229-51230-25	229-51230-29
4	T&P Relief Valve	230-40594-02	230-40594-02	230-40594-02	230-40594-02
5	Drain Valve (Brass)	265-42351-02	265-42351-02	265-42351-02	265-42351-02
6	Gas valve (Natural)	222-48863-01	222-48863-01	222-48863-01	222-49861-01
7	Main Burner Orifice 0 Ft. to 2,000 Ft.	234-18194-42	234-18194-36	234-18194-36	234-18194-30
	Main Burner High Altitude Orifice 0 Ft. to 7,000 Ft. (-475 model suffixes) **	234-18194-44	234-18194-41	234-18194-41	234-18194-32
	Main Burner High Altitude Orifice Kit 7,001 Ft. to 10,000 Ft.	265-51320-01-47	265-51320-01-43	265-51320-01-43	265-51320-01-35
8	Heat Trap Insert (Inlet)	239-51556-00	239-51556-00	239-51556-00	239-51556-00
9	Heat Trap Insert (Outlet)	239-45167-00	239-45167-00	239-45167-00	239-45167-00
10	Outer Door	239-46209-00	239-46209-00	239-46209-00	239-46209-00
11	Draft Diverter	243-45787-00	243-45787-00	243-45787-00	239-33081-02-20-15
12	Burner Assembly (normal alt.)***	265-46693-02-42	265-46693-06-36	265-46693-04-36	265-46693-08-30
	Burner Assembly (0-7000 ft.)***	265-46693-02-44	265-46693-06-41	265-46693-04-41	265-46693-08-32
13	Burner **	228-48383-14	228-48383-18	228-48383-16	228-48383-19
14	Flexible Gas Feedline	233-46930-01	233-46930-01	233-46930-01	233-46930-01
15	Pilot assembly kit without door gasket**	265-48999-05	265-48999-05	265-48999-05	265-48999-05
	Pilot Assembly kit with door gasket	239-47449-00	239-47449-00	239-47449-00	239-47449-00
16	Screw #8-18 X 1/2 HWH (1 req'd)	239-32761-00	239-32761-00	239-32761-00	239-32761-00
17	Thermal Switch	239-43676-03	239-43676-03	239-43676-03	239-43676-03
18	Screw #6-20 X 3/8 PHCR (2 req'd)	239-43967-00	239-43967-00	239-43967-00	239-43967-00
19	Screw #8-18 X 3/4 HWH (2 req'd)	239-44195-00	239-44195-00	239-44195-00	239-44195-00
20	Manifold Mount	239-46201-00	239-46201-00	239-46201-00	239-46201-00
21	Inner Door Right Side Assembly	239-49784-01	239-49784-03	239-49784-02	239-49784-03
22	RTD Sensor Kit	265-50016-00	265-50016-00	265-50016-00	265-50016-00
23	Screw #10-12 X 3/4 HWH (7 req'd)	239-44113-00	239-44113-00	239-44113-00	239-44113-00
24	Pipe Plug	---	---	---	239-11638-00
25	Spring Clip (Feedline)	239-47475-00	239-47475-00	239-47475-00	239-47475-00
26	ASSE Approved Mixing Valve (Optional)	239-43740-01	239-43740-01	239-43740-01	239-43740-01
27	Gas Control Kit	239-48863-01	239-48863-01	239-48863-01	239-49861-01
28	Kit-Inner Door Gasket	239-47062-00	239-47062-00	239-47062-00	239-47062-00
29	Pilot Orifice **	234-47098-00	234-47098-00	234-47098-00	234-47098-00
30	Kit-Heat Trap Insert	265-51572-00	265-51572-00	265-51572-00	265-51572-00
31	Intermediate Gas Valve Harness	239-47892-00	239-47892-00	239-47892-00	239-47892-00

\*Applies to all warranties

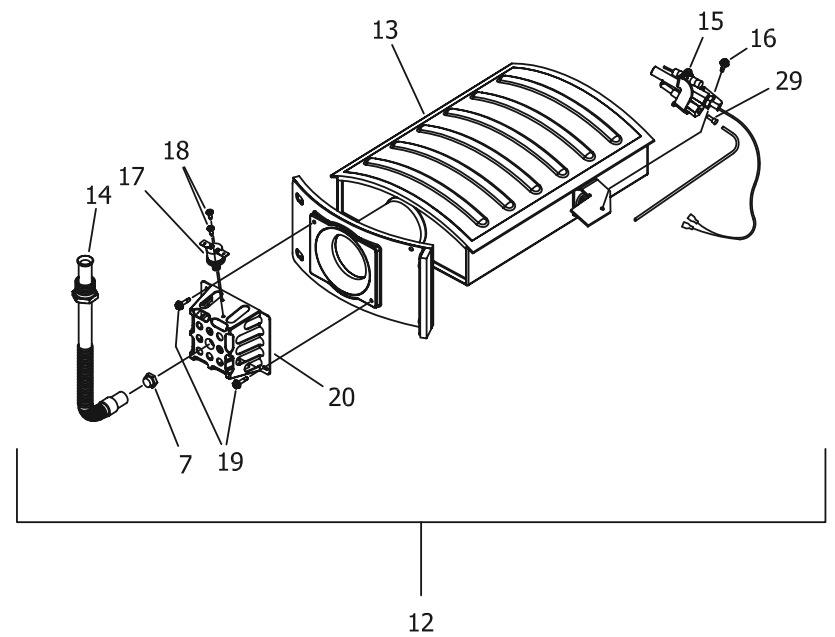
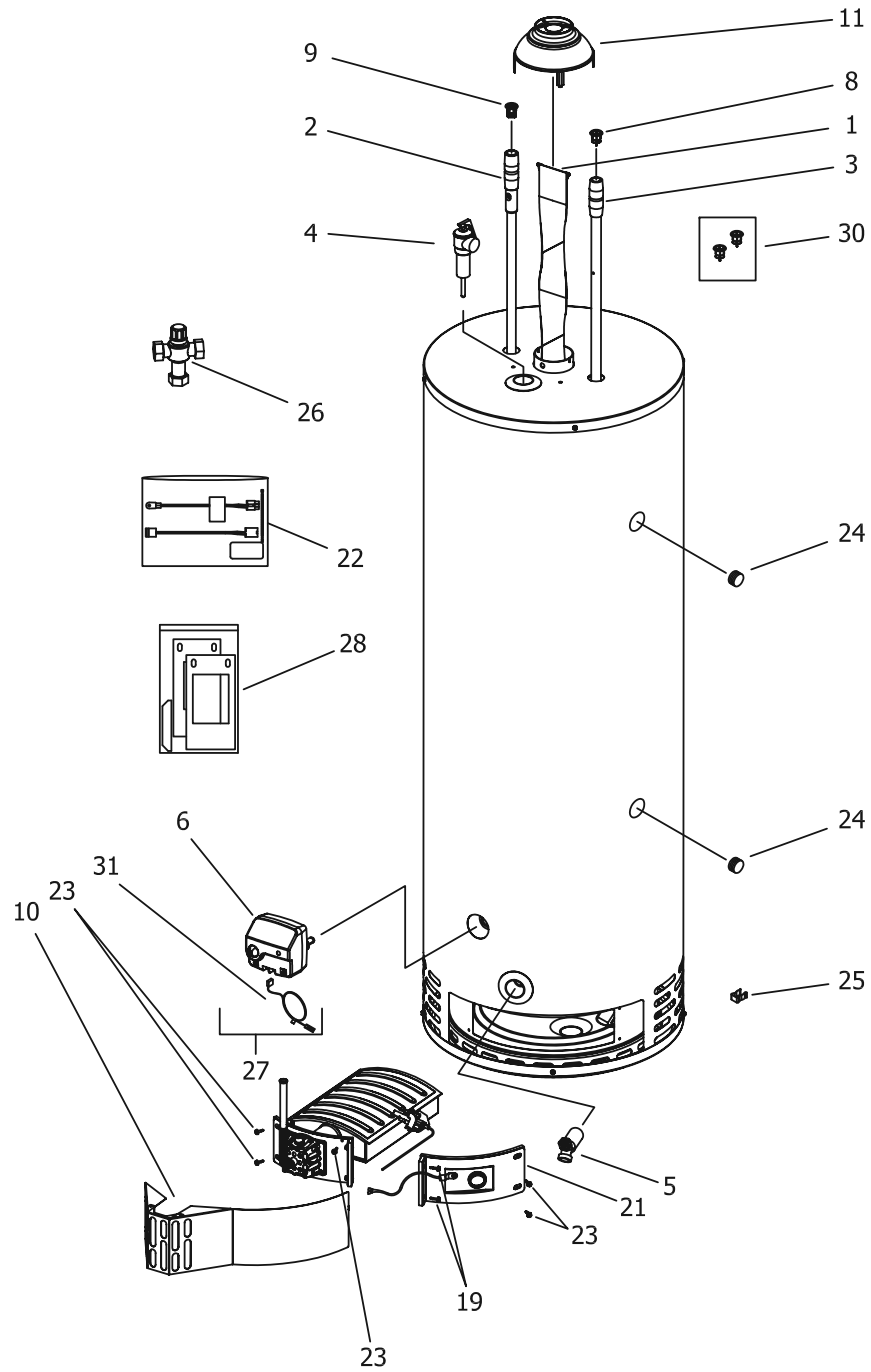
\*\*Inner door gasket kit recommended

\*\*\*Ordering a complete burner assembly may increase delivery time. Please order the specific component required for the quickest delivery.

▲ Order with item 8

▲▲ Order with item 9

# Anode may need to be cut to length



Item	Description	Model URG230T*N	Model URG240S*N	Model URG240T*N	Model ULG250H55*N
Item	Description	Model URG250H*N	Model URG250L*N	Model URG250S*N	Model URG250T*N
1	Flue Baffle	---	243-45223-00	243-45225-00	243-44705-00
	Flue Core	239-50666-00	---	---	---
2	Hot Water Outlet Anode (Magnesium) ▲▲	224-47776-19	224-47776-19	224-47776-19	224-47776-19
	Hot Water Outlet Anode (Aluminum) ▲▲	224-32999-42	224-32999-42	224-32999-42	224-32999-42
	Hot Water Outlet Anode (A420 Aluminum) ▲▲ #	224-49560-08	224-49560-08	224-49560-08	224-49560-08
3	Cold Water Inlet Dip Tube (PEX) ▲	229-51230-20	229-51230-20	229-51230-14	229-51230-22
4	T&P Relief Valve	230-40594-02	230-40594-02	230-40594-02	230-40594-02
5	Drain Valve (Brass)	265-42351-02	265-42351-02	265-42351-02	265-42351-02
6	Gas valve (Natural)	222-48863-01	222-48863-01	222-48863-01	222-48863-01
7	Main Burner Orifice 0 Ft. to 2,000 Ft.	234-18194-30	234-18194-36	234-18194-32	234-18194-36
	Main Burner High Altitude Orifice 0 Ft. to 7,000 Ft. (-475 model suffixes) **	234-18194-32	234-18194-41	234-18194-36	234-18194-41
	Main Burner High Altitude Orifice Kit 7,001 Ft. to 10,000 Ft.	265-51320-01-35	265-51320-01-43	265-51320-01-40	265-51320-01-43
8	Heat Trap Insert (Inlet)	239-51556-00	239-51556-00	239-51556-00	239-51556-00
9	Heat Trap Insert (Outlet)	239-45167-00	239-45167-00	239-45167-00	239-45167-00
10	Outer Door	239-46209-00	239-46209-00	239-46209-00	239-46209-00
11	Draft Diverter	239-33081-02-20-15	243-45787-00	239-33081-02-20-15	243-45787-00
12	Burner Assembly (normal alt.)***	243-46693-08-30	265-46693-07-36	265-46693-11-32	265-46693-06-36
	Burner Assembly (0-7000 ft.)***	265-46693-08-32	265-46693-07-41	265-46693-11-36	265-46693-06-41
13	Burner **	228-48383-19	228-48383-20	228-48383-19	228-48383-18
14	Flexible Gas Feedline	233-46930-01	233-46930-01	233-46930-01	233-46930-01
15	Pilot assembly kit without door gasket**	265-48999-05	265-48999-05	265-48999-05	265-48999-05
	Pilot Assembly kit with door gasket	239-47449-00	239-47449-00	239-47449-00	239-47449-00
16	Screw #8-18 X 1/2 HWH (1 req'd)	239-32761-00	239-32761-00	239-32761-00	239-32761-00
17	Thermal Switch	239-43676-03	239-43676-03	239-43676-03	239-43676-03
18	Screw #6-20 X 3/8 PHCR (2 req'd)	239-43967-00	239-43967-00	239-43967-00	239-43967-00
19	Screw #8-18 X 3/4 HWH (2 req'd)	239-44195-00	239-44195-00	239-44195-00	239-44195-00
20	Manifold Mount	239-46201-00	239-46201-00	239-46201-00	239-46201-00
21	Inner Door Right Side Assembly	239-49784-03	239-49784-04	239-49784-03	239-49784-03
22	RTD Sensor Kit	265-50016-00	265-50016-00	265-50016-00	265-50016-00
23	Screw #10-12 X 3/4 HWH (7 req'd)	239-44113-00	239-44113-00	239-44113-00	239-44113-00
24	Pipe Plug	239-11638-00	---	---	---
25	Spring Clip (Feedline)	239-47475-00	239-47475-00	239-47475-00	239-47475-00
26	ASSE Approved Mixing Valve (Optional)	239-43740-01	239-43740-01	239-43740-01	239-43740-01
27	Gas Control Kit	239-48863-01	239-48863-01	239-48863-01	239-48863-01
28	Kit-Inner Door Gasket	239-47062-00	239-47062-00	239-47062-00	239-47062-00
29	Pilot Orifice **	234-47098-00	234-47098-00	234-47098-00	234-47098-00
30	Kit-Heat Trap Insert	265-51572-00	265-51572-00	265-51572-00	265-51572-00
31	Intermediate Gas Valve Harness	239-47892-00	239-47892-00	239-47892-00	239-47892-00

\*Applies to all warranties

\*\*Inner door gasket kit recommended

\*\*\*Ordering a complete burner assembly may increase delivery time. Please order the specific component required for the quickest delivery.

▲ Order with item 8

▲▲ Order with item 9

# Anode may need to be cut to length



# **BRADFORD WHITE<sup>®</sup>**

W A T E R H E A T E R S

Ambler, PA

For U.S. and Canada field service,  
contact your professional installer or  
local Bradford White sales representative.

**Sales/800-523-2931**  
**Fax/215-641-1670**  
**Parts Fax/215-641-2180**

**Technical Support/800-334-3393**  
**Fax/269-795-1089**

**Warranty/800-531-2111**  
**Fax/269-795-1089**

**International:**  
**Telephone/215-641-9400**  
**Telefax/215-641-9750**



# **BRADFORD WHITE-CANADA<sup>®</sup> INC.**

Mississauga, ON

**Sales/866-690-0961**  
**905-238-0100**

**Fax/905-238-0105**

**Technical Support/800-334-3393**

**Email**

**parts@bradfordwhite.com**  
**techserv@bradfordwhite.com**

**www.bradfordwhite.com**